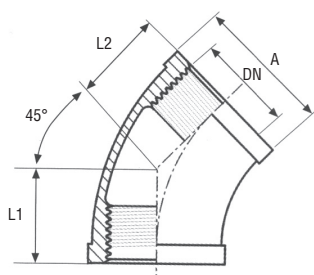
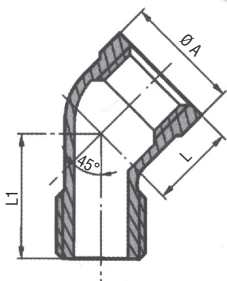
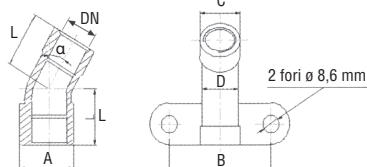


Art. 1205
GOMITO 45° FF


Articolo	Misura in pollici	DN	A mm	L1-L2 mm	PESO g/cad
1205A	1/8"	6	18	18	36
1205B	1/4"	8	21	17	50
1205C	3/8"	10	25	20	87
1205D	1/2"	15	29.5	22	118
1205E	3/4"	20	35.6	25	147
1205F	1"	25	43	28	246
1205G	1 1/4"	32	52.4	33	347
1205H	1 1/2"	40	58	36	416
1205L	2"	50	72	43	673
1205M	2 1/2"	65	87	49	918
1205N	3"	80	100	55	1154
1205P	4"	100	125.5	64	1993

Art. 1207
GOMITO 45° MF


Articolo	Misura in pollici	A mm	L mm	L1 mm	PESO g/cad
1207A	1/8"	17	16	21	24
1207B	1/4"	21	17	23	42
1207C	3/8"	25	19	27	63
1207D	1/2"	29	21	31	87
1207E	3/4"	35	25	36	135
1207F	1"	43	29	42	230
1207G	1 1/4"	52	34	49	360
1207H	1 1/2"	58	37	51	422
1207L	2"	71	42	59	710
1207M	2 1/2"	88	49	71	1210
1207N	3"	101	54	79	1670
1207P	4"	129	65	96	2860

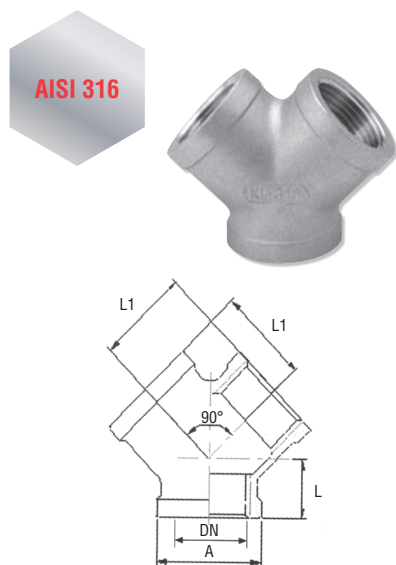
Art. 1208
GOMITO FF CON FLANGIA


Articolo	Misura in pollici	DN	gradi	L mm	A mm	B mm	C mm	D mm	PESO g/cad
1208D45	1/2"	15	45°	22.8	28.5	55	27	25	146
1208D90	1/2"	15	90°	27.7	28.5	55	27	25	162

I VALORI EVIDENZIATI IN TABELLA DIFFERISCONO DALL'IMMAGINE ILLUSTRATIVA

Art. 1209

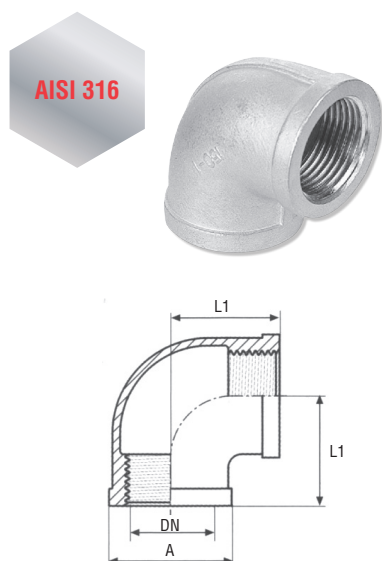
DEVIAZIONE A Y



Articolo	Misura in pollici	DN	A mm	L mm	L1 mm	PESO g/cad
1209A	1/8"	6	17	10	17	40
1209B	1/4"	8	21	13	19	64
1209C	3/8"	10	25	14	23	100
1209D	1/2"	15	29	18	27	128
1209E	3/4"	20	35	20	32	193
1209F	1"	25	43	23	38	323
1209G	1"1/4	32	52	28	46	485
1209H	1"1/2	40	58	30	48	565
1209L	2"	50	71	34	57	890

Art. 1210

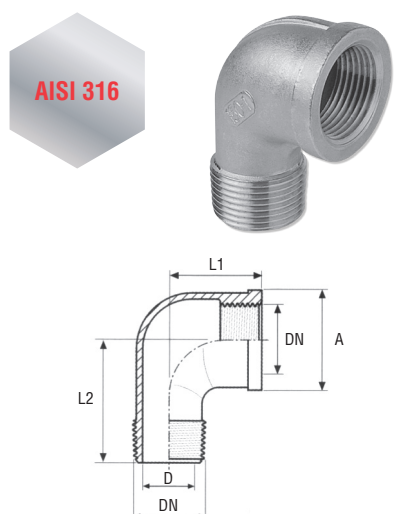
GOMITO 90° FF



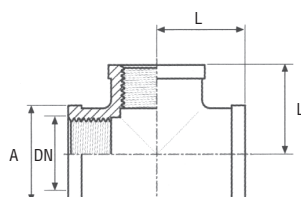
Articolo	DN	DN INCH	A mm	L1 mm	PESO g/cad
1210A	6	1/8"	17	19	39
1210B	8	1/4"	21.3	21	61
1210C	10	3/8"	23.5	21.3	68
1210D	15	1/2"	29	27	102
1210E	20	3/4"	36	33	164
1210F	25	1"	43	38	264
1210G	32	1"1/4	52	45	413
1210H	40	1"1/2	58	50	521
1210L	50	2"	71.5	57	808
1210M	65	2"1/2	87	69.7	1183
1210N	80	3"	99.5	77	1380
1210P	100	4"	126	98.2	2714

Art. 1220

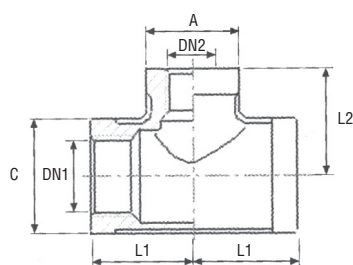
GOMITO 90° MF



Articolo	DN	DN inch	A mm	L1 mm	L2 mm	D mm	PESO g/cad
1220A	6	1/8"	17	19	25	5.5	26
1220B	8	1/4"	21	21	28.3	7.6	40
1220C	10	3/8"	25	25	32	10	73
1220D	15	1/2"	29	28	42	12.7	94
1220E	20	3/4"	35	33	50.5	17.7	167
1220F	25	1"	43	38	52	24.8	231
1220G	32	1"1/4	52	45	60	33	429
1220H	40	1"1/2	58.8	50	65	38	473
1220L	50	2"	71.7	58	74	48.7	760
1220M	65	2"1/2	86.2	69	101	62	1286
1220N	80	3"	100	77	114.5	74.5	1925
1220P	100	4"	126.5	97	146.5	100	3100

Art. 1230
TEE FEMMINA NORMALE


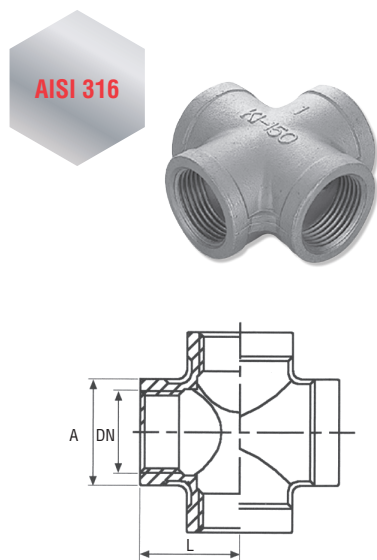
Articolo	DN	DN inch	A mm	L mm	PESO g/cad
1230A	6	1/8"	17	19	56
1230B	8	1/4"	21.3	21	82
1230C	10	3/8"	23.5	23.6	105
1230D	15	1/2"	30	28	156
1230E	20	3/4"	35	33	229
1230F	25	1"	43	38	369
1230G	32	1"1/4	52	45	420
1230H	40	1"1/2	58.5	50	702
1230L	50	2"	71.5	58	1082
1230M	65	2"1/2	87	70	1517
1230N	80	3"	100	78.5	1856
1230P	100	4"	125	97	3170

RACCORDI INOX
Art. 1235
TEE RIDOTTO


Articolo	DN1 inch	DN2 inch	A mm	C mm	L1 mm	L2 mm	PESO g/cad
1235C	1/4"	1/8"	17	21	18	19	66
1235D	3/8"	1/4"	21	23	20	22	70
1235E	1/2"	3/8"	23.5	29	26	25	116
1235F	3/4"	1/2"	30	37	30	32	230
1235G	1"	1/2"	30.5	44	32	33.4	307
1235H	1"	3/4"	35.8	44	35	35	324
1235J	1" 1/4	1/2"	28.8	51.4	34	38	330
1235K	1" 1/4	3/4"	35.8	51.4	38	40	376
1235L	1" 1/4	1"	43.3	51.4	40	42	426
1235M	1" 1/2	1/2"	28.8	57.9	35	42	420
1235N	1" 1/2	3/4"	35.8	57.9	38	43	467
1235P	1" 1/2	1"	43.3	57.9	41	45	517
1235Q	1" 1/2	1"1/4	51.4	57.9	45	48	579
1235R	2"	1/2"	28.8	71	38	48	593
1235S	2"	3/4"	35.8	71	41	49	662
1235T	2"	1"	43.3	71	44	51	740
1235U	2"	1"1/4	51.4	71	48	54	785
1235V	2"	1"1/2	57.9	71	52	55	872

Art. 1240

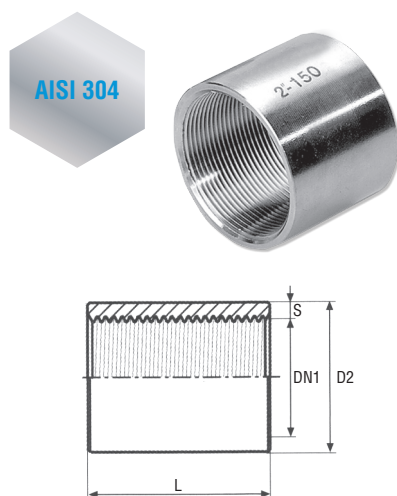
CROCE FEMMINA



Articolo	DN	DN inch	A mm	L mm	PESO g/cad
1240A	6	1/8"	15.2	17	38
1240B	8	1/4"	19.7	18.5	72
1240C	10	3/8"	23.3	22.9	103
1240D	15	1/2"	28	26.8	144
1240E	20	3/4"	34.8	32	249
1240F	25	1"	43.6	37.5	435
1240G	32	1 1/4"	53	45.9	701
1240H	40	1 1/2"	58	47.6	768
1240L	50	2"	71	58	1258
1240M	65	2 1/2"	87	69	1770
1240N	80	3"	99	77	2031
1240P	100	4"	125	97	3490

Art. 1250

MANICOTTO



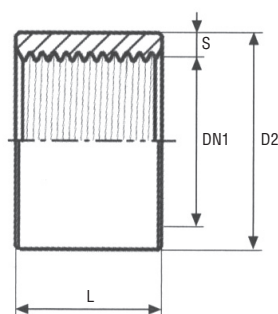
Articolo	DN	DN1 inch	D2 mm	S mm	L mm	PESO g/cad
1250A	6	1/8"	15	2.35	17	15
1250B	8	1/4"	18.5	2.40	25	30
1250C	10	3/8"	21.3	2.05	26	34
1250D	15	1/2"	26.6	2.65	34	68
1250E	20	3/4"	31.8	2.55	36	83
1250F	25	1"	39.5	3.05	43	137
1250G	32	1 1/4"	48.3	3.05	48	226
1250H	40	1 1/2"	54.5	3.10	48	266
1250L	50	2"	66.2	2.95	56	352
1250M	65	2 1/2"	82	4.50	65	530
1250N	80	3"	95	3.05	71	650
1250P	100	4"	121.4	3.55	83	1305

Art. 1251

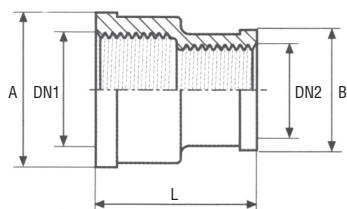
MANICOTTO



Articolo	DN	DN1 inch	D2 mm	S mm	L mm	PESO g/cad
1251A	6	1/8"	15	2.35	17	15
1251B	8	1/4"	18.5	2.40	25	30
1251C	10	3/8"	21.3	2.05	26	34
1251D	15	1/2"	26.6	2.65	34	68
1251E	20	3/4"	31.8	2.55	36	83
1251F	25	1"	39.5	3.05	43	137
1251G	32	1 1/4"	48.3	3.05	48	226
1251H	40	1 1/2"	54.5	3.10	48	266
1251L	50	2"	66.2	2.95	56	352
1251M	65	2 1/2"	82	4.50	65	530
1251N	80	3"	95	3.05	71	650
1251P	100	4"	121.4	3.55	83	1305

Art. 1254
MEZZO MANICOTTO
AISI 316


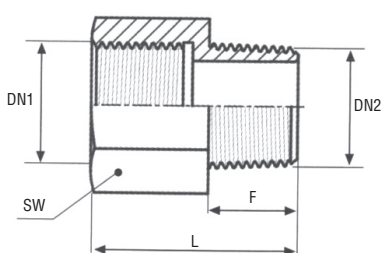
Articolo	DN	DN1 inch	D2 mm	S mm	L mm	PESO g/cad
1254A	6	1/8"	15	2.35	8	7
1254B	8	1/4"	18.5	2.40	11	12
1254C	10	3/8"	21.3	2.05	12	14
1254D	15	1/2"	26.6	2.65	15	26
1254E	20	3/4"	31.8	2.55	17	36
1254F	25	1"	39.5	3.05	20	64
1254G	32	1"1/4	48.3	3.05	22	88
1254H	40	1"1/2	54.5	3.10	22	105
1254L	50	2"	66.2	2.95	26	164
1254M	65	2"1/2	82	4.50	30	245
1254N	80	3"	95	3.05	34	312
1254P	100	4"	121.4	3.55	40	630

RACCORDI INOX
Art. 1256
MANICOTTO RIDOTTO
AISI 316


Articolo	DN1 inch	DN2 inch	A mm	B mm	L mm	PESO g/cad
1256B	1/4"	1/8"	21.5	19	26	31
1256C	3/8"	1/4"	26	21.5	29	53
1256D	1/2"	3/8"	29	22.4	34	70
1256E	3/4"	1/2"	37	28.1	37	116
1256F	1"	1/2"	43	29.4	42	154
1256G	1"	3/4"	43	32	42	148
1256H	1" 1/4	1/2"	52	29	48	230
1256J	1" 1/4	3/4"	52	35	48	234
1256K	1" 1/4	1"	52.5	39	52	230
1256L	1" 1/2	1"	59	43.5	53	292
1256M	1" 1/2	1"1/4	59	50	53	298
1256N	2"	1"	72	43	56	456
1256P	2"	1"1/4	72	52	56	430
1256Q	2"	1"1/2	72	56.7	57	452

Art. 1258

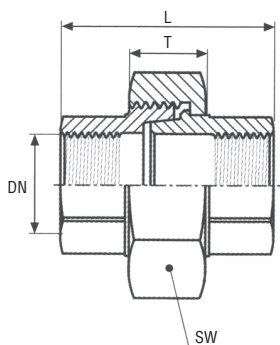
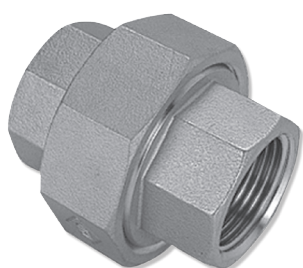
MANICOTTO MF (PROLUNGA)



Articolo	DN1 inch	DN2 inch	L mm	F mm	SW mm	PESO g/cad
1258C	1/4"	1/8"	27	10.8	17	23
1258D	1/4"	1/4"	28.5	12	17	26
1258E	3/8"	1/4"	30.5	11.9	21	38
1258F	3/8"	3/8"	31	12.3	21	43
1258G	1/2"	3/8"	34.5	12.3	26	64
1258H	1/2"	1/2"	37.5	14.6	26	73
1258J	3/4"	1/2"	38.5	15.6	32	102
1258K	3/4"	3/4"	41	17.5	32	280
1258L	1"	3/4"	44	17.5	38	127
1258M	1"	1"	46	20.1	38	300
1258N	1"1/4	1"	47	20	50	240
1258P	1"1/4	1"1/4	49	22	50	389
1258Q	1"1/2	1"1/4	50	22.3	54	263
1258R	1"1/2	1"1/2	51	23.5	54	400
1258S	2"	1"1/2	54	23.1	68	533
1258T	2"	2"	57	26.5	68	537

Art. 1260

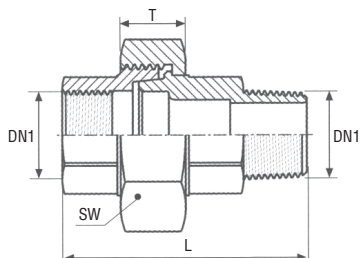
GIUNTO 3 PEZZI FF SEDE CONICA



Articolo	DN	DN inch	L mm	T mm	SW mm	PESO g/cad
1260A	6	1/8"	29	13.5	25	54
1260B	8	1/4"	37.5	13.5	30	101
1260C	10	3/8"	38	15.5	35	128
1260D	15	1/2"	42	17	42	198
1260E	20	3/4"	49	19	47	275
1260F	25	1"	48	20.5	53	314
1260G	32	1"1/4	59	23	71	737
1260H	40	1"1/2	65	26	77	815
1260L	50	2"	69	28.5	92	1221
1260M	65	2"1/2	80	28.5	112	1879
1260N	80	3"	88	30	126	2591
1260P	100	4"	108	38	157	4340

Art. 1270

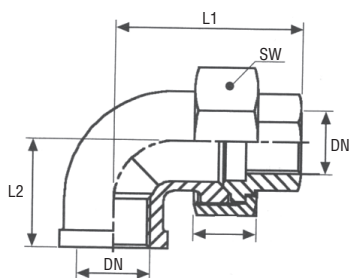
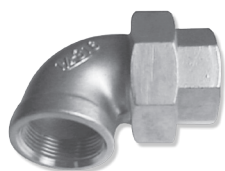
GIUNTO 3 PEZZI MF SEDE CONICA



Articolo	DN	DN1 inch	L mm	T mm	SW mm	PESO g/cad
1270A	6	1/8"	40	13.5	25	59
1270B	8	1/4"	50	13.5	30	108
1270C	10	3/8"	50	15.5	35	133
1270D	15	1/2"	58	17	42	230
1270E	20	3/4"	67	19	47	332
1270F	25	1"	68.3	20.5	53	403
1270G	32	1"1/4	83	23	71	865
1270H	40	1"1/2	86.3	26	78	978
1270L	50	2"	94	28.5	92	1509
1270M	65	2"1/2	113.3	28.5	112	2457
1270N	80	3"	127	30	126	3450
1270P	100	4"	154.5	38	157	5720

Art. 1272

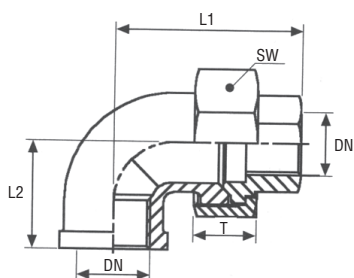
BOCCHETTONE CURVO FF



Articolo	DN	DN inch	L1 mm	L2 mm	T mm	SW mm	PESO g/cad
1272B	8	1/4"	46.2	21	13.5	30	139
1272C	10	3/8"	49	25	15.5	35	164
1272D	15	1/2"	56	28	17	42	266
1272E	20	3/4"	62.7	33	19	47	364
1272F	25	1"	68	38	20.5	53	598
1272G	32	1"1/4	79.5	45	23	71	1009
1272H	40	1"1/2	88	50	26	78	1181
1272L	50	2"	93.8	58	28.5	92	1847

Art. 1274

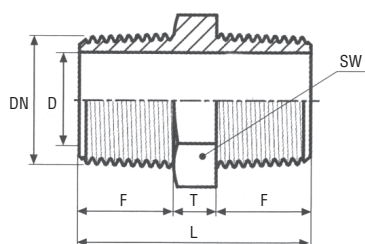
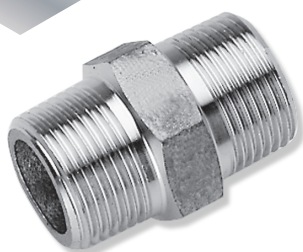
BOCCHETTONE CURVO MF



Articolo	DN	DN inch	L1 mm	L2 mm	T mm	SW mm	PESO g/cad
1274B	8	1/4"	58.6	21	13.5	30	147
1274C	10	3/8"	61	25	15.5	35	187
1274D	15	1/2"	71	28	17	42	269
1274E	20	3/4"	78.7	33	19	47	409
1274F	25	1"	88.4	38	20.5	53	602
1274G	32	1"1/4	102.9	45	23	71	1142
1274H	40	1"1/2	110.3	50	26	77	1315
1274L	50	2"	119.4	58	28.5	92	1992

Art. 1280

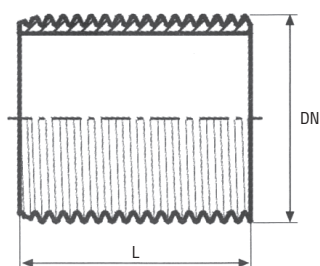
NIPPO CON ESAGONO



Articolo	DN	DN inch	L mm	F mm	T mm	D mm	SW mm	PESO g/cad
1280A	6	1/8"	23.6	8.9	5.9	4.3	12	12
1280B	8	1/4"	27.8	11	5.8	7	16	22
1280C	10	3/8"	28	12.2	3.6	9.4	19	39
1280D	15	1/2"	34	14.9	4.3	13.7	21.6	50
1280E	20	3/4"	40	16.5	7	19	30	84
1280F	25	1"	46	19.5	6.9	25.5	36	120
1280G	32	1"1/4	52.5	21.5	9.5	32	46	230
1280H	40	1"1/2	54	22.2	9.7	38.5	50	261
1280L	50	2"	62	24.4	13.2	50.2	64.5	399
1280M	65	2"1/2	70	28.5	13	63.8	79.5	698
1280N	80	3"	78.4	31.7	15	77	90	898
1280P	100	4"	94	38.2	17.6	102	120	1488

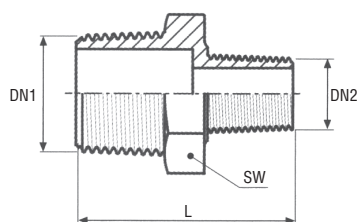
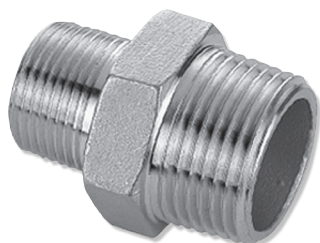
Art. 1282

NIPPO SEMPLICE



Articolo	DN	DN inch	L mm	PESO g/cad
1282B	8	1/4"	18	7
1282C	10	3/8"	22	12
1282D	15	1/2"	25	17
1282E	20	3/4"	30	24
1282F	25	1"	35	49
1282G	32	1"1/4	38	70
1282H	40	1"1/2	38	95
1282L	50	2"	45	127
1282M	65	2"1/2	55	188
1282N	80	3"	60	271
1282P	100	4"	70	504

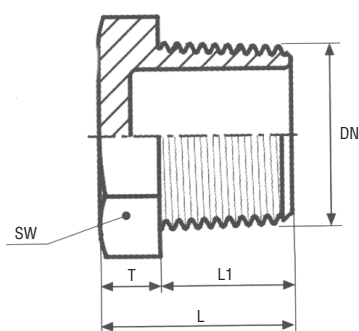
AISI 316



Articolo	DN1 inch	DN2 inch	L mm	SW mm	PESO g/cad
12841418	1/4"	1/8"	34	18	29
12843818	3/8"	1/8"	35	21	43
12843814	3/8"	1/4"	35.5	21	42
12841214	1/2"	1/4"	34	26	53
12841238	1/2"	3/8"	41	26	63
12843414	3/4"	1/4"	37	30	70
12843438	3/4"	3/8"	37	30	75
12843412	3/4"	1/2"	45	30	105
1284112	1"	1/2"	44.2	35	115
1284134	1"	3/4"	50	37	146
128411412	1"1/4	1/2"	48	46	199
128411434	1"1/4	3/4"	52	46	219
12841141	1"1/4	1"	54	46	227
128411234	1"1/2	3/4"	53	50	250
12841121	1"1/2	1"	53	50	242
1284112114	1"1/2	1"1/4	59	51.5	311
128421	2"	1"	57	63	361
12842114	2"	1"1/4	58	63	379
12842112	2"	1"1/2	65.4	64	432
12842121	2"1/2	1"	63	80	700
1284212114	2"1/2	1"1/4	66	80	730
1284212112	2"1/2	1"1/2	66	80	739
12842122	2"1/2	2"	77	76.3	934
128432	3"	2"	74	95	1069
12843212	3"	2"1/2	84	92.5	1381
128442	4"	2"	82	125	1754
12844212	4"	2"1/2	82	125	1750
128443	4"	3"	94	117.4	2200

Art. 1290

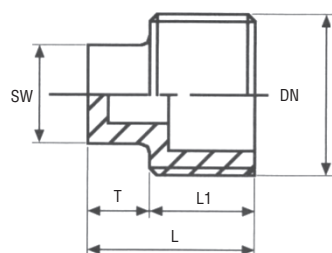
TAPPO MASCHIO TESTA ESAGONALE



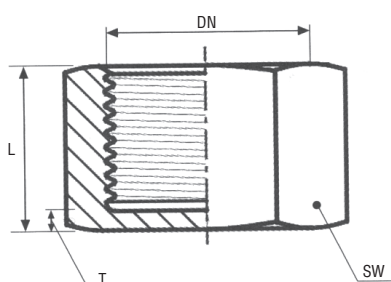
Articolo	DN	DN inch	L mm	L1 mm	T mm	SW mm	PESO g/cad
1290A	6	1/8"	17	8.5	8.5	12	12
1290B	8	1/4"	17.5	12.5	5	16	20
1290C	10	3/8"	18	12	6	20	36
1290D	15	1/2"	25	16.5	8.5	24	51
1290E	20	3/4"	26	17.5	8.5	30	76
1290F	25	1"	29	20.5	8.5	38	119
1290G	32	1 1/4"	35	26.5	8.5	46	195
1290H	40	1 1/2"	38	26.5	11.5	52	297
1290L	50	2"	39	27.5	11.5	65	432
1290M	65	2 1/2"	44	30.5	13.5	81	806
1290N	80	3"	54	40.5	13.5	94	1164
1290P	100	4"	55	40.5	14.5	119	1961

Art. 1294

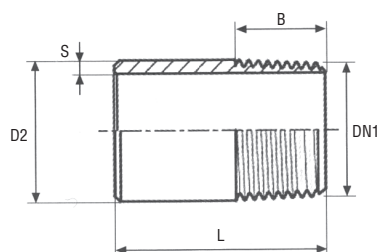
TAPPO MASCHIO TESTA QUADRA



Articolo	DN	DN inch	L mm	L1 mm	H mm	SW mm	PESO g/cad
1294A	6	1/8"	16.5	12.5	6.5	6X6	9
1294B	8	1/4"	20	12	8	9X9	17
1294C	10	3/8"	23	13	10	11X11	30
1294D	15	1/2"	25	15.5	9.5	13X13	37
1294E	20	3/4"	27	17	10	16X16	45
1294F	25	1"	32	20	12	20X20	95
1294G	32	1 1/4"	35	22	13	24X24	137
1294H	40	1 1/2"	36	22	14	25X25	151
1294L	50	2"	38	24	14	32X32	242
1294M	65	2 1/2"	48	30	18	42X42	617
1294N	80	3"	52	34	18	46X46	913
1294P	100	4"	62	39.5	22.5	58X58	1588

Art. 1300
TAPPO FEMMINA
AISI 316


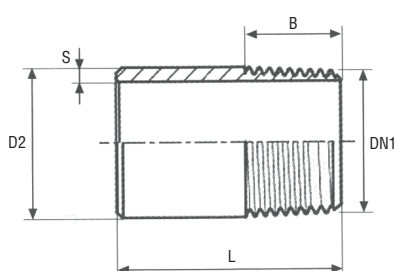
Articolo	DN	DN inch	L mm	T mm	SW mm	PESO g/cad
1300A	6	1/8"	14	3	15	12
1300B	8	1/4"	18	3	18	21
1300C	10	3/8"	19	3	21	32
1300D	15	1/2"	21	3	27	58
1300E	20	3/4"	24	4	30	67
1300F	25	1"	25	4	38	116
1300G	32	1"1/4	28	4.5	50	231
1300H	40	1"1/2	28	4.5	55	254
1300L	50	2"	34	4	70	506
1300M	65	2"1/2	40	6.5	92	1207
1300N	80	3"	45	6	109	1925
1300P	100	4"	50	6	132	2693

RACCORDI INOX
Art. 1310
TRONCHETTO DA TUBO SALDATO
AISI 304


Articolo	DN	DN1 inch	D2 mm	S mm	L mm	B mm	PESO g/cad
1310A	6	1/8"	10.3	2	30	10	11
1310B	8	1/4"	13.7	2.3	30	10	15
1310C	10	3/8"	17.2	2.3	30	10	23
1310D	15	1/2"	21.3	2.6	35	13	33
1310E	20	3/4"	26.9	2.6	40	15	52
1310F	25	1"	33.7	3.2	40	17	77
1310G	32	1"1/4	42.4	3.2	50	19	120
1310H	40	1"1/2	48.3	3.2	50	19	150
1310L	50	2"	60.3	3.6	50	23	200
1310M	65	2"1/2	76.1	3.6	60	27	310
1310N	80	3"	88.9	4	70	30	470
1310P	100	4"	114.3	4.5	80	36	760

Art. 1312

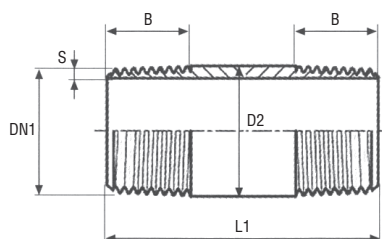
TRONCHETTO DA TUBO SALDATO



Articolo	DN	DN1 inch	D2 mm	S mm	L mm	B mm	PESO g/cad
1312A	6	1/8"	10.3	2	30	10	11
1312B	8	1/4"	13.7	2.3	30	10	15
1312C	10	3/8"	17.2	2.3	30	10	23
1312D	15	1/2"	21.3	2.6	35	13	33
1312E	20	3/4"	26.9	2.6	40	15	52
1312F	25	1"	33.7	3.2	40	17	77
1312G	32	1"1/4	42.4	3.2	50	19	120
1312H	40	1"1/2	48.3	3.2	50	19	150
1312L	50	2"	60.3	3.6	50	23	200
1312M	65	2"1/2	76.1	3.6	60	27	310
1312N	80	3"	88.9	4	70	30	470
1312P	100	4"	114.3	4.5	80	36	760

Art. 1314

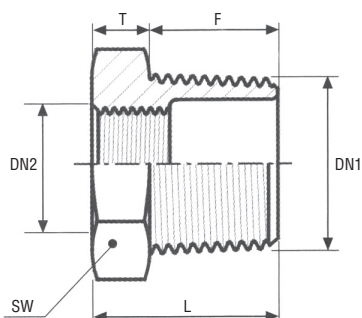
VITE DI ALLUNGAMENTO (BARILOTTO) DA TUBO SALDATO



Articolo	DN	DN1 inch	D2 mm	S mm	L1 mm	B mm	PESO g/cad
1314A	6	1/8"	10.3	2	35	10	13
1314B	8	1/4"	13.7	2.3	40	10	20
1314C	10	3/8"	17.2	2.3	40	10	27
1314D	15	1/2"	21.3	2.6	60	13	61
1314E	20	3/4"	26.9	2.6	60	15	71
1314F	25	1"	33.7	3.2	60	17	110
1314G	32	1"1/4	42.4	3.2	80	19	190
1314H	40	1"1/2	48.3	3.2	80	19	220
1314L	50	2"	60.3	3.6	100	23	400
1314M	65	2"1/2	76.1	3.6	100	27	490
1314N	80	3"	88.9	4	120	30	770
1314P	100	4"	114.3	4.5	120	36	900

DISPONIBILI A RICHIESTA ANCHE IN ACCIAIO INOX AISI 316

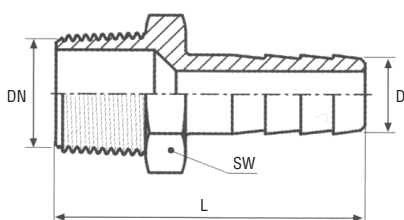
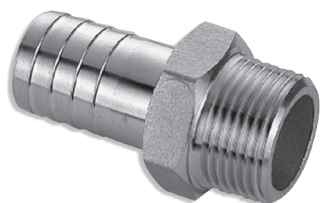
AISI 316



Articolo	DN1 inch	DN2 inch	L mm	T mm	F mm	SW mm	PESO g/cad
1320A	1/4"	1/8"	15.2	4.4	10.8	16	10
1320B	3/8"	1/8"	16.5	4.1	12.4	18	19
1320C	3/8"	1/4"	16.5	4.6	11.9	18	14
1320D	1/2"	1/4"	21	5.4	15.6	26	40
1320E	1/2"	3/8"	21	5.6	15.4	26	34
13203414	3/4"	1/4"	24	6.4	17.6	30	71
1320F	3/4"	3/8"	24	6.6	17.4	30	65
1320G	3/4"	1/2"	24	6.5	17.5	30	54
1320H	1"	1/2"	27	7.3	19.7	35	99
1320L	1"	3/4"	27	7.3	19.7	35	77
1320M	1"1/4	1/2"	30	8.1	21.9	45	197
1320N	1"1/4	3/4"	30	8.1	21.9	45	183
1320P	1"1/4	1"	30	8.1	21.9	45	150
132011212	1"1/2	1/2"	38	12.2	25.8	52	312
1320Q	1"1/2	3/4"	38	12.2	25.8	52	303
1320R	1"1/2	1"	38	12.2	25.8	52	292
1320S	1"1/2	1"1/4	38	12.2	25.8	52	202
1320T	2"	1"	36	11.2	24.8	63	382
1320U	2"	1"1/4	36	11.2	24.8	63	360
1320V	2"	1"1/2	36	11.2	24.8	63	296
1320W	2"1/2	1"	45	14.1	30.9	81	855
1320X	2"1/2	1"1/4	45	14.1	30.9	81	796
1320Y	2"1/2	1"1/2	45	14.1	30.9	81	753
1320Z	2"1/2	2"	45	14.1	30.9	81	630
132032	3"	2"	47	14	33	95	1041
13203212	3"	2"1/2	47	14	33	95	767
132042	4"	2"	52	12	40	120	1993
13204212	4"	2"1/2	52	12	40	120	1631
132043	4"	3"	52	12	40	120	1493

Art. 1330

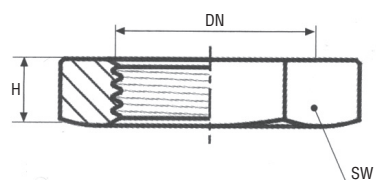
PORTAGOMMA



Articolo	DN	DN inch	D mm	L mm	SW mm	PESO g/cad
1330A	6	1/8"	7	45	12.5	15
1330B	8	1/4"	9	47	16.5	31
1330C	10	3/8"	11	55	20	41
1330D	15	1/2"	13	64	23.5	71
1330E	20	3/4"	16	68	31	118
1330F	25	1"	25	71	38.5	235
1330G	32	1"1/4	33	80	46	267
1330H	40	1"1/2	39	95	52	428
1330L	50	2"	51	105	62	666

Art. 1335

CONTRODADO



Articolo	DN	DN inch	H mm	SW mm	PESO g/cad
1335A	6	1/8"	6.2	14	3
1335B	8	1/4"	7	23	19
1335C	10	3/8"	8	26	22
1335D	15	1/2"	10	31	39
1335E	20	3/4"	11	37	56
1335F	25	1"	10	46	79
1335G	32	1"1/4	11	55	110
1335H	40	1"1/2	12	63	154
1335L	50	2"	13	76	227
1335M	65	2"1/2	16	95	450
1335N	80	3"	19	105	575
1335P	100	4"	20	131	775