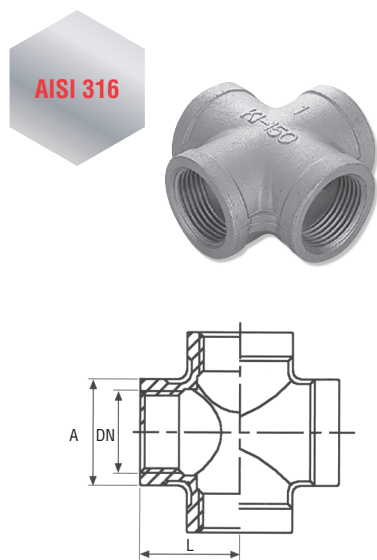


Art. 1240

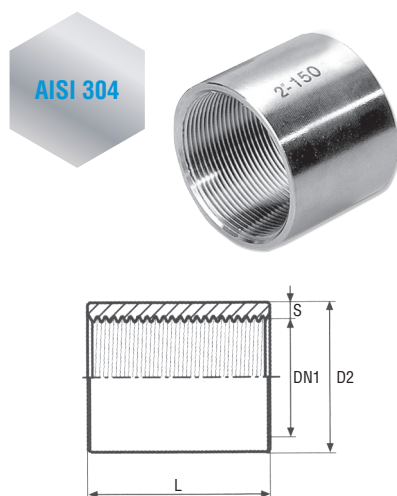
CROCE FEMMINA



Articolo	DN	DN inch	A mm	L mm	PESO g/cad
1240A	6	1/8"	15.2	17	38
1240B	8	1/4"	19.7	18.5	72
1240C	10	3/8"	23.3	22.9	103
1240D	15	1/2"	28	26.8	144
1240E	20	3/4"	34.8	32	249
1240F	25	1"	43.6	37.5	435
1240G	32	1 1/4"	53	45.9	701
1240H	40	1 1/2"	58	47.6	768
1240L	50	2"	71	58	1258
1240M	65	2 1/2"	87	69	1770
1240N	80	3"	99	77	2031
1240P	100	4"	125	97	3490

Art. 1250

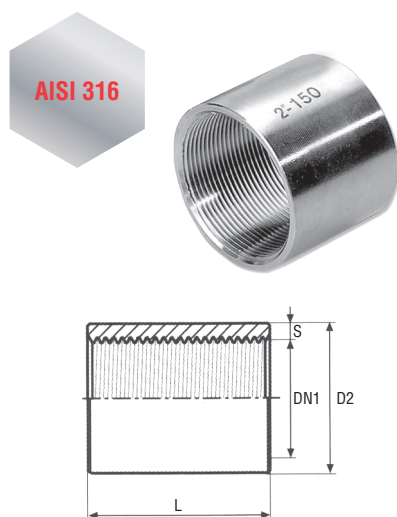
MANICOTTO



Articolo	DN	DN1 inch	D2 mm	S mm	L mm	PESO g/cad
1250A	6	1/8"	15	2.35	17	15
1250B	8	1/4"	18.5	2.40	25	30
1250C	10	3/8"	21.3	2.05	26	34
1250D	15	1/2"	26.6	2.65	34	68
1250E	20	3/4"	31.8	2.55	36	83
1250F	25	1"	39.5	3.05	43	137
1250G	32	1 1/4"	48.3	3.05	48	226
1250H	40	1 1/2"	54.5	3.10	48	266
1250L	50	2"	66.2	2.95	56	352
1250M	65	2 1/2"	82	4.50	65	530
1250N	80	3"	95	3.05	71	650
1250P	100	4"	121.4	3.55	83	1305

Art. 1251

MANICOTTO



Articolo	DN	DN1 inch	D2 mm	S mm	L mm	PESO g/cad
1251A	6	1/8"	15	2.35	17	15
1251B	8	1/4"	18.5	2.40	25	30
1251C	10	3/8"	21.3	2.05	26	34
1251D	15	1/2"	26.6	2.65	34	68
1251E	20	3/4"	31.8	2.55	36	83
1251F	25	1"	39.5	3.05	43	137
1251G	32	1 1/4"	48.3	3.05	48	226
1251H	40	1 1/2"	54.5	3.10	48	266
1251L	50	2"	66.2	2.95	56	352
1251M	65	2 1/2"	82	4.50	65	530
1251N	80	3"	95	3.05	71	650
1251P	100	4"	121.4	3.55	83	1305