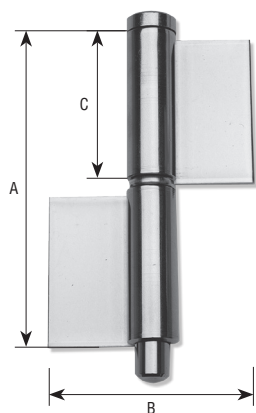


## Art. 400

## CERNIERE A SALDARE INOX PER CANCELLI 2 ALI

AISI 304



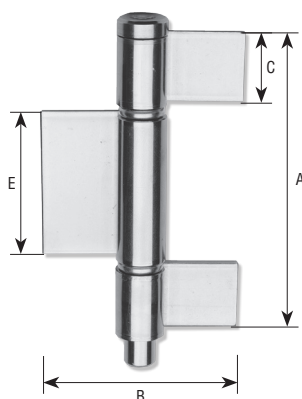
| Articolo | A   | B   | C   | Ø Cerniera | SP | Ø P | Gr/pz |
|----------|-----|-----|-----|------------|----|-----|-------|
| 400A     | 103 | 90  | 50  | 21         | 3  | 14  | 410   |
| 400B     | 154 | 100 | 75  | 24         | 4  | 16  | 770   |
| 400C     | 204 | 110 | 100 | 24         | 4  | 16  | 1060  |

Dimensioni in mm

## Art. 410

## CERNIERE A SALDARE INOX PER CANCELLI 3 ALI

AISI 304



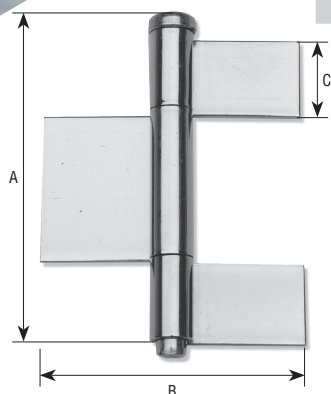
| Articolo | A   | B   | C  | Ø Cerniera | E   | SP | Ø P | Gr/pz |
|----------|-----|-----|----|------------|-----|----|-----|-------|
| 410A     | 107 | 90  | 25 | 21         | 50  | 3  | 14  | 420   |
| 410B     | 153 | 100 | 35 | 24         | 75  | 4  | 16  | 790   |
| 410C     | 208 | 110 | 50 | 24         | 100 | 4  | 16  | 1080  |

Dimensioni in mm

## Art. 420

## FISCE PER SERRAMENTI 3 ALI

AISI 304



| Articolo | A   | B  | C  | Ø Cerniera | SP  | Ø P | Gr/pz |
|----------|-----|----|----|------------|-----|-----|-------|
| 420A     | 110 | 80 | 27 | 15         | 2   | 10  | 190   |
| 420B     | 140 | 92 | 33 | 18         | 2.5 | 12  | 380   |

Dimensioni in mm