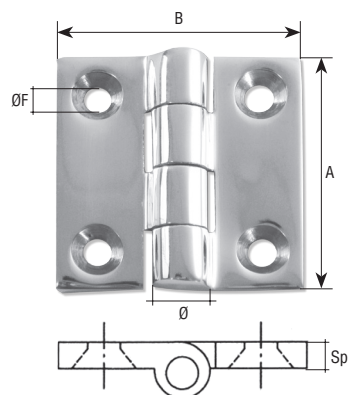


## Art. 192

## CERNIERE INOX AISI 316 LUCIDE MICROFUSIONE

AISI 316



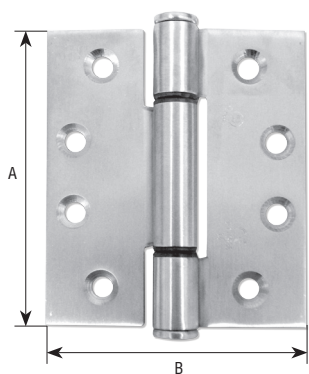
| Articolo | A  | B  | Ø Cerniera | SP | Nr.F | Ø F | Gr/pz |
|----------|----|----|------------|----|------|-----|-------|
| 192A     | 38 | 38 | 9          | 4  | 4    | 4.2 | 48    |
| 192B     | 50 | 50 | 9          | 4  | 4    | 5   | 81    |

Dimensioni in mm

## Art. 195

## CERNIERA INOX AISI 316 SATINATA PORTATA 160 Kg

AISI 316



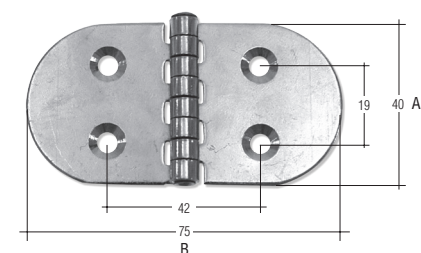
| Articolo | A   | B  | Ø Cerniera | SP | Nr.F | Ø F | Gr/pz |
|----------|-----|----|------------|----|------|-----|-------|
| 195A     | 102 | 89 | 15         | 3  | 8    | 7   | 282   |

Dimensioni in mm

## Art. 200

## CERNIERE INOX LUCIDE

AISI 304



| Articolo | A  | B  | Ø Cerniera | SP  | Nr.F | Ø F | Gr/pz |
|----------|----|----|------------|-----|------|-----|-------|
| 200A     | 40 | 75 | 7          | 1.5 | 4    | 4.5 | 38    |

Dimensioni in mm