



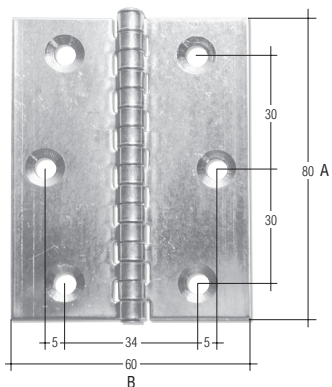
Art. 160 H/1

CERNIERE INOX LUCIDE



Articolo	A	B	Ø Cerniera	SP	Nr.F	Ø F	Gr/pz
160H/1	80	60	7	1.5	6	5.5	64

Dimensioni in mm



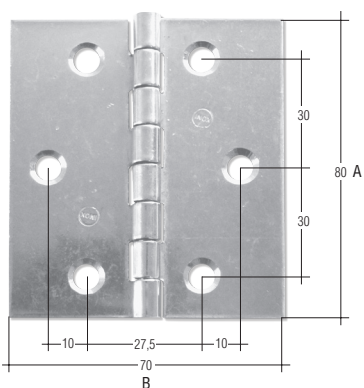
Art. 160 I

CERNIERE INOX LUCIDE



Articolo	A	B	Ø Cerniera	SP	Nr.F	Ø F	Gr/pz
160I	80	70	7	1.5	6	6.5	74

Dimensioni in mm



Art. 160 I/1

CERNIERE INOX LUCIDE



Articolo	A	B	Ø Cerniera	SP	Nr.F	Ø F	Gr/pz
160I/1	80	70	7	1.5	6	6.5	74

Dimensioni in mm

