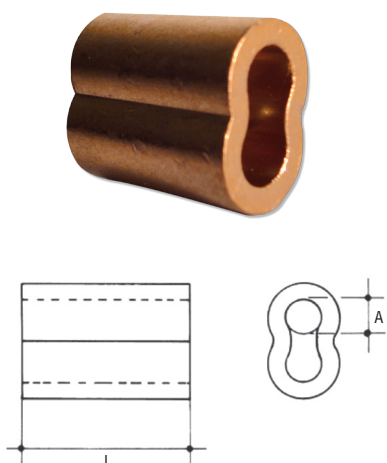


Art. 3100

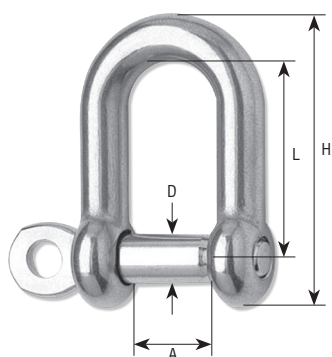
MANICOTTI IN RAME



Articolo	A = Ø Fune mm	L mm
3100A	2	10
3100B	2.5	12
3100C	3	14
3100D	4	16
3100E	5	22
3100F	6	24
3100G	8	28
3100H	10	40

Art. 3110

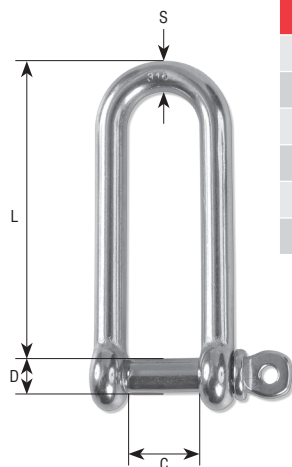
GRILLI DIRITTI



Articolo	D mm	A mm	L mm	H mm	SWL Kg	PESO g/cad
3110A	4	8	16	24	50	10
3110B	5	10	20	30	70	20
3110C	6	14	26	37	100	30
3110D	8	16	32	48	250	70
3110E	10	20	45	64	400	130
3110F	12	25	48	72	630	220
3110G	14	29	63	88.5	750	310
3110H	16	34	64	96	1000	380
3110L	19	40	76	114	1600	690
3110M	22	47	96	143	2000	1200
3110N	25	50	100	150	2500	1300
3110P	28	56	112	168	3150	3000
3110Q	32	64	128	192	4000	4170

Art. 3120

GRILLI DIRITTI LUNGH



Articolo	D mm	L mm	C mm	S mm	PESO g/cad
3120A	4	30	8	4	10
3120B	5	38	10	5	20
3120C	6	46	12	6	30
3120D	8	60	15	8	80
3120E	10	75	20	10	170
3120F	12	90	23	12	280