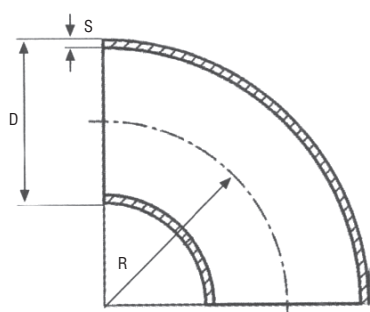
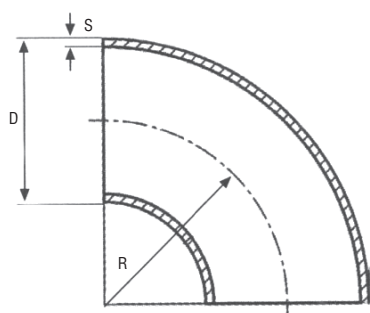


**Art. 1340**
**CURVE A SALDARE 3D 90° IN POLLICI DA TUBO SALDATO**

**RACCORDI INOX A SALDARE**


Articolo	DN	DN inch	D mm	S mm	R mm	PESO g/cad
1340C	10	3/8"	17.0	2	27	34
1340D	15	1/2"	21.3	2	28	40
1340E	20	3/4"	26.9	2	29	60
1340F	25	1"	33.7	2	38	100
1340G	32	1 1/4"	42.4	2	48	152
1340H	40	1 1/2"	48.3	2	57	215
1340L	50	2"	60.3	2	76	350
1340M	65	2 1/2"	76.1	2	95	560
1340N	80	3"	88.9	2	114	810
1340P	90	3 1/2"	101.6	2	133.5	954
1340Q	100	4"	114.3	2	152	1300
1340R	125	5"	139.7	2	190	2100
1340S	150	6"	168.3	2	229	2840
1340T	200	8"	219.1	2	305	5150

**FORNIBILI ANCHE IN AISI 316 E IN ALTRI SPESSORI**
**Art. 1344**
**CURVE A SALDARE 3D 90° METRICHE DA TUBO SALDATO**


Articolo	D mm	S mm	R mm	PESO g/cad
134418	18	1.5	25	30
134420	20	1.5	30	30
134423	23	1.5	35	40
134425	25	1.5	37	50
134428	28	1.5	40	60
134430	30	1.5	45	80
134433	33	1.5	50	80
134435	35	1.5	52.5	90
134438	38	1.5	55	110
134440	40	1.5	60	130
134443	43	1.5	65	150
1344508	50.8	1.5	76	220
134453	53	1.5	80	250
1344635	63.5	1.5	95	320
134470	70	1.5	92	500
134473	73	1.5	110	530

**FORNIBILI ANCHE IN AISI 316 E IN ALTRI SPESSORI**