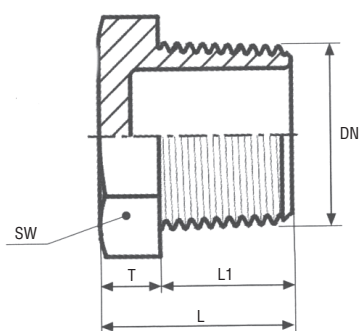


Art. 1290

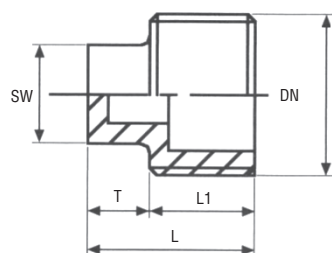
TAPPO MASCHIO TESTA ESAGONALE



Articolo	DN	DN inch	L mm	L1 mm	T mm	SW mm	PESO g/cad
1290A	6	1/8"	17	8.5	8.5	12	12
1290B	8	1/4"	17.5	12.5	5	16	20
1290C	10	3/8"	18	12	6	20	36
1290D	15	1/2"	25	16.5	8.5	24	51
1290E	20	3/4"	26	17.5	8.5	30	76
1290F	25	1"	29	20.5	8.5	38	119
1290G	32	1 1/4"	35	26.5	8.5	46	195
1290H	40	1 1/2"	38	26.5	11.5	52	297
1290L	50	2"	39	27.5	11.5	65	432
1290M	65	2 1/2"	44	30.5	13.5	81	806
1290N	80	3"	54	40.5	13.5	94	1164
1290P	100	4"	55	40.5	14.5	119	1961

Art. 1294

TAPPO MASCHIO TESTA QUADRA



Articolo	DN	DN inch	L mm	L1 mm	H mm	SW mm	PESO g/cad
1294A	6	1/8"	16.5	12.5	6.5	6X6	9
1294B	8	1/4"	20	12	8	9X9	17
1294C	10	3/8"	23	13	10	11X11	30
1294D	15	1/2"	25	15.5	9.5	13X13	37
1294E	20	3/4"	27	17	10	16X16	45
1294F	25	1"	32	20	12	20X20	95
1294G	32	1 1/4"	35	22	13	24X24	137
1294H	40	1 1/2"	36	22	14	25X25	151
1294L	50	2"	38	24	14	32X32	242
1294M	65	2 1/2"	48	30	18	42X42	617
1294N	80	3"	52	34	18	46X46	913
1294P	100	4"	62	39.5	22.5	58X58	1588