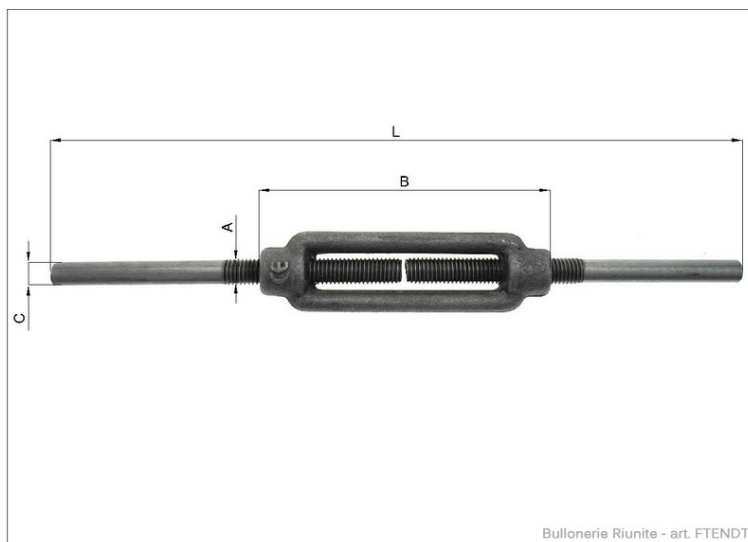


Tenditori a due tronchi - Neri Art. FTENDT



Bullonerie Riunite - art. FTENDT

Misure M30, M36, M39, M42, M45, M48, M50, M52,
M56
SOLO SU RICHIESTA

29/11/2021

ARTICOLO	A mm	A W	B mm	C mm	L min	L max	Peso g	WLL Kg
FTENDT316	M5	(3/16)	80	4.3	160	223	52	110
FTENDT14	M6	(1/4)	80	5.1	180	243	62	150
FTENDT516	M8	(5/16)	105	7.0	210	292	120	250
FTENDT38	M10	(3/8)	125	8.8	250	347	210	350
FTENDT716	M11	(7/16)	135	10.6	270	374	305	600
FTENDT12	M12	(1/2)	140	10.6	280	386	345	650
FTENDT916	M14	(9/16)	170	12.5	340	470	580	850
FTENDT58	M16	(5/8)	190	14.5	380	525	840	1150
FTENDT1116	M18	(11/16)	205	16.1	410	564	1100	1400
FTENDT34	M20	(3/4)	220	18.0	440	604	1530	1800
FTENDT78	M22	(7/8)	240	20.0	480	659	2280	2240
FTENDT1	M24	(1")	260	21.8	520	712	2560	2600
FTENDT118	M27	(1"1/8)	270	27.0	590	816	4330	3400
FTENDT33	M33	(1"1/4)	290	30.0	600	816	5700	5100
A RICHIESTA	-	1"3/8	300	32.0	600	808	6980	5500
A RICHIESTA	-	1"1/2	300	35.0	600	800	8450	6700