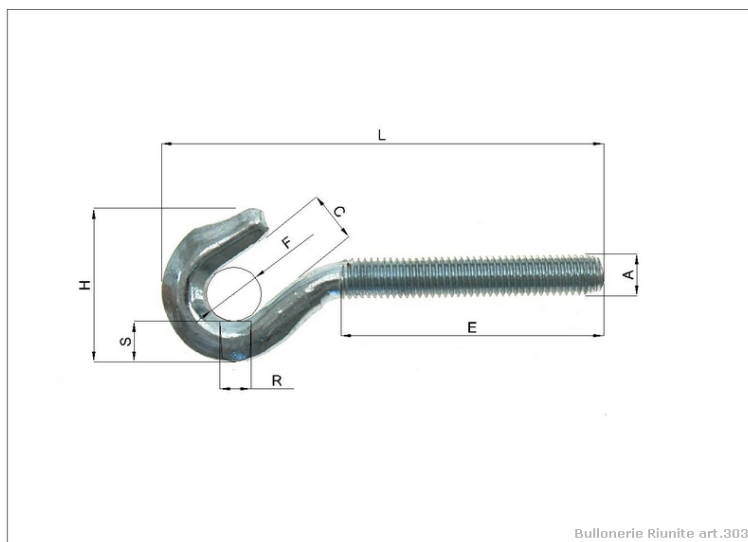


Ganci per Tenditori - Destri - Zincati Art. 3ZD



Versione sinistra a richiesta

29/11/2021

ARTICOLO	A mm	A "	C "	E mm	F mm	H mm	L mm	R mm	S mm	Peso g	WLL Kg	CONFEZ
A RICHIESTA	M5	(3/16)	6,0	40	7,5	17	62	4,0	4,5	9	25	150
A RICHIESTA	M6	(1/4)	8,0	40	9,5	22	67	4,5	5,5	14	45	120
A RICHIESTA	M8	(5/16)	10,0	52	11,0	30	90	5,5	8,0	33	95	100
A RICHIESTA	M10	(3/8)	12,5	60	14,0	36	103	7,5	10,0	60	140	70
A RICHIESTA	M11	(7/16)	12,5	65	14,0	36	113	8,5	11,5	80	165	1
A RICHIESTA	M12	(1/2)	17,5	70	23,0	56	131	12,0	18,5	165	300	30
A RICHIESTA	M14	(9/16)	21,0	85	27,0	66	156	14,5	21,5	265	420	1
A RICHIESTA	M16	(5/8)	24,0	95	31,0	77	177	16,5	25,0	430	570	1
A RICHIESTA	M18	(11/16)	27,0	103	35,0	85	194	18,5	27,5	530	700	1
A RICHIESTA	M20	(3/4)	30,0	110	39,0	95	212	20,5	31,0	750	900	1
A RICHIESTA	M22	(7/8)	34,0	120	43,0	106	233	23,0	34,5	970	1100	1
A RICHIESTA	M24	(1")	36,0	130	47,0	114	252	25,0	37,5	1560	1300	1